

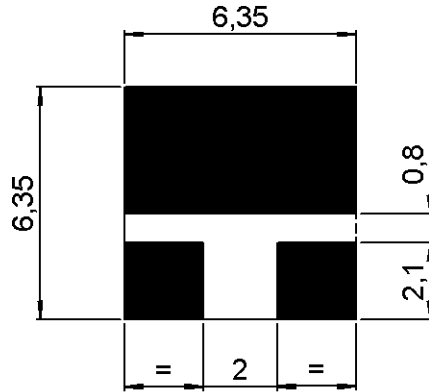
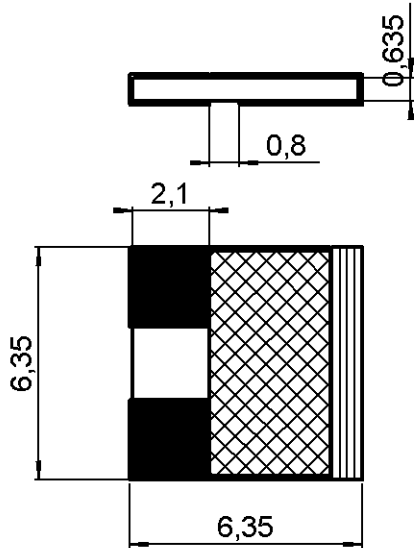
**SMT ATTENUATOR**

**R421.103.005**

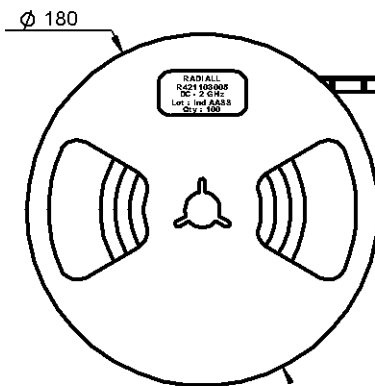
**3 DB 2 GHZ 3 W (TRUE SURFACE MOUNTING)**

Series :  
**ATTENUATOR**

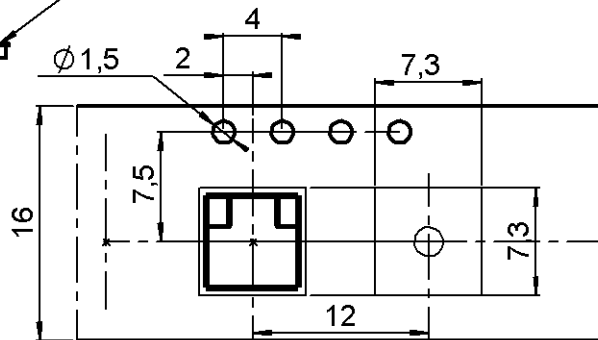
SOLDERING PATTERN



\* **CONDITIONNEMENT PAR 100**  
**PACKAGING BY 100** \*



**VUE A**  
**VIEW A**



dimensions are in mm.



Weight 0,0000 g

Specification

**Issue : 0524 A**

In the effort to improve our products, we reserve the right to make changes judged to be necessary.



**SMT ATTENUATOR**

**R421.103.005**

**3 DB 2 GHZ 3 W (TRUE SURFACE MOUNTING)**

Series :  
**ATTENUATOR**

**ELECTRICAL CHARACTERISTICS**

Frequency range : DC – 2 GHz  
 Impedance : 50 ohms ±5%  
 Average Power : 3 W  
 Attenuation: 3dB +/-0.3dB

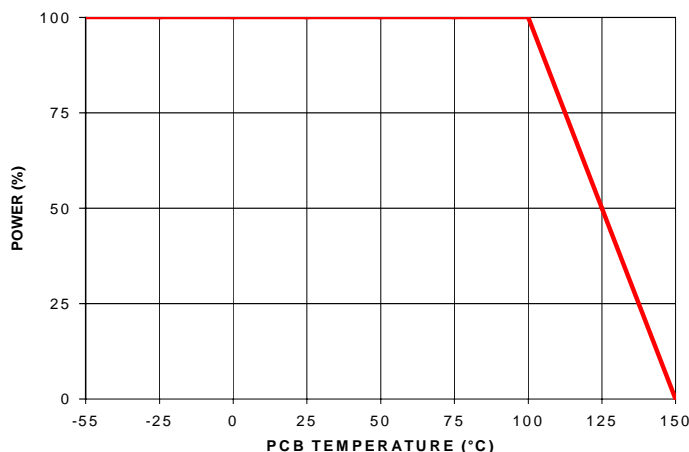
Frequency	DC – 2 GHz				
V.S.W.R	<= 1.20				

**MECHANICAL CHARACTERISTICS**

Substrate : Al2O3  
 Resistive film type : Thick film  
 Protective coating : Epoxy  
 Solderable terminal & ground : PtAg

**OTHER CHARACTERISTICS**

Power derating  
Versus temperatur



**ENVIRONMENTAL**

Operating temperature range : -55°C + 150°C

**Issue : 0524 A**

In the effort to improve our products, we reserve the right to make changes judged to be necessary.

